

DU Mitsui E&S DU Co., Ltd.

Mitsui E&S Group

Parts Sales Department
5292, AIOI, AIOI-SHI, HYOGO-KEN, 678-0041, JAPAN
Tel: + 81 791 24 2285 Fax: +81 791 22 6064

No.: CS2L24-003

Issue Date: 1st January 2024

Expiry Date: 31st December 2026

Certificate

This is to certify that under mentioned companies have been authorized as repair agent for diesel engine components for DU-WIN GD Diesel Engines.

Authorized company:

BRIGHTSUN MARINE PTE LTD (SINGAPORE)

Approved reconditioning and/or welding repair are

- (1) Piston crown
- (2) Cylinder cover
- (3) Piston rod
- (4) Exhaust valve casing and seat

For DU-WIN GD Diesel Engines *1

*1: Including the engines built by IHI Power Systems Co., Ltd.,
Diesel United, Ltd., Ishikawajima-Harima Heavy Industries Co., Ltd.,
Sumitomo Heavy Industries, Ltd. and NKK CORPORATION.

Mitsui E&S DU Co., Ltd.



Akio Enomoto
General Manager,
Parts Sales Department



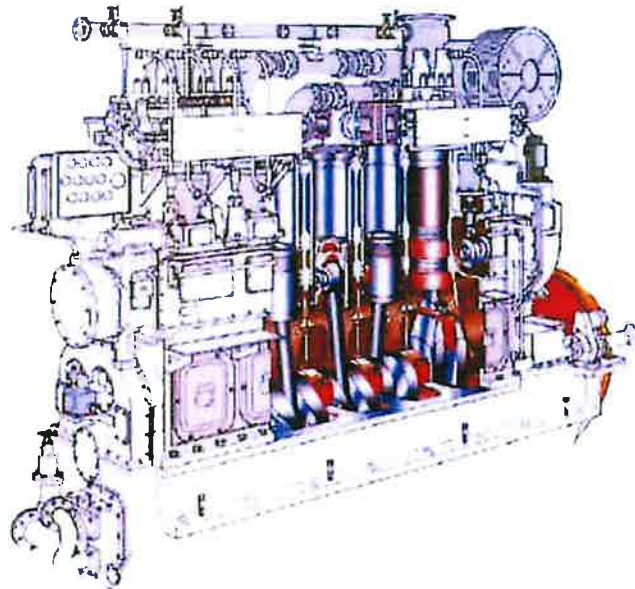
THE HANSHIN DIESEL WORKS, LTD.

CERTIFICATE

This is to certify that

BRIGHTSUN MARINE PTE LTD

has been appointed authorized Service Station in Singapore for after-sales service works such as repair, maintenance and recondition of HANSHIN 4-stroke engines and HANSHIN-KAWASAKI MAN B&W 2-stroke engines.



This certificate is valid until the end of December 2025.

Takahiro Tanaka / Senior Executive Officer

Technology Division

Responsible for Design and Service

1st July 2023

Reference No. : HGS-YG01-SNC20YGD01-0011

▲ HYUNDAI GLOBAL SERVICE

This is to certify that
BRIGHTSUN MARINE PTE LTD
The Republic of Singapore

is appointed
HGS Authorized Service Partner in Singapore

Two stroke (MAN, WinGD), Four stroke engine, COPT & Thruster, BWTS



Valid Certificate until November 30, 2022

November 23, 2020

S. H. Lim

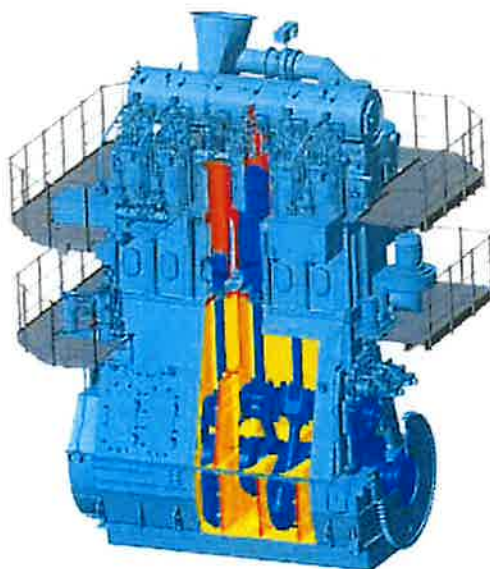
**Shin-Ho Lim, Managing Director
Engineering Department
HYUNDAI GLOBAL SERVICE**



This is to certify
BRIGHTSUN MARINE PTE LTD

is appointed as Authorized Repair Agent
of UEC Diesel Engines,
in relation to after-sales work for
the repair & recondition work and/or
the maintenance work of UEC Diesel Engines

This certificate is valid : until end of March 2025



A handwritten signature in black ink, appearing to read 'Taketoshi Nakatani'.

Taketoshi Nakatani, General Manager
After-Sales Department





This is to be certified that
BRIGHTSUN MARINE PTE., LTD.

is appointed as our Authorized Repair Agent for Maintenance
and Repairing for all Akasaka 4 Cycle and UEC 2 Cycle
models.

October 7th, 2022

Mamoru Watase,
Director
Quality Assurance Department

Akasaka Diesels Limited



CERTIFICATE

This is to certify that

BRIGHTSUN MARINE PTE LTD

is appointed as Authorized Service Partner in Singapore.

The scope of this approval is applicable to:
Controllable Pitch Propellers and Thrusters

Expiry date: October 31, 2026

Certificate number: AS6277-2024

Nakashima Propeller Co., Ltd.

A handwritten signature in black ink, appearing to read 'T. Yamatogi', is written over a horizontal line.

Toshio Yamatogi

General Manager

November 1, 2024

NAKASHIMA PROPELLER CO., LTD.



CERTIFICATE

This is to certify that
BRIGHTSUN MARINE PTE., LTD.

is appointed as our Authorised Repair Agent for
Maintenance and Repairing for all Niikura Kogyo Products.



Product Management Department


Junya Furukawa / Manager

 NIKURA KOGYO CO., LTD.

Fuji-Gotenba-factory 2314-6, Jinba, Gotenba-shi
Shizuoka-ken, 412-0047 Japan

Tel: +81-550-78-6220 Fax: +81-550-80-2300

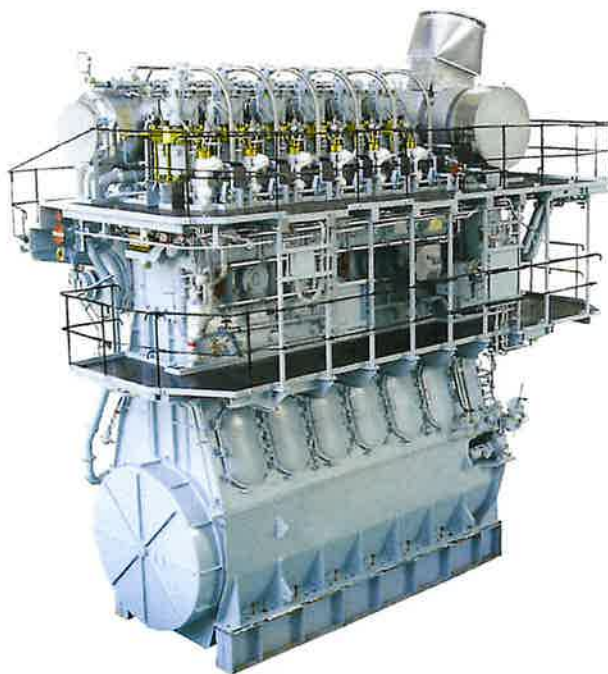
DATE: May 15, 2024

CERTIFICATE

This is to certify that

BRIGHTSUN MARINE PTE LTD

is appointed as Authorized Service Partner in Singapore for after sales service work such as maintenance of MAKITA-MITSUI-MAN B&W 2-stroke marine diesel engine.



This certificate is valid until May 15, 2027 subject to the agreement.

E. Kita

MAKITA CORPORATION
Technical Support Department
Manager Eiji Kita